



AIRCHARGER®

HIGH-FLOW INTAKE KITS

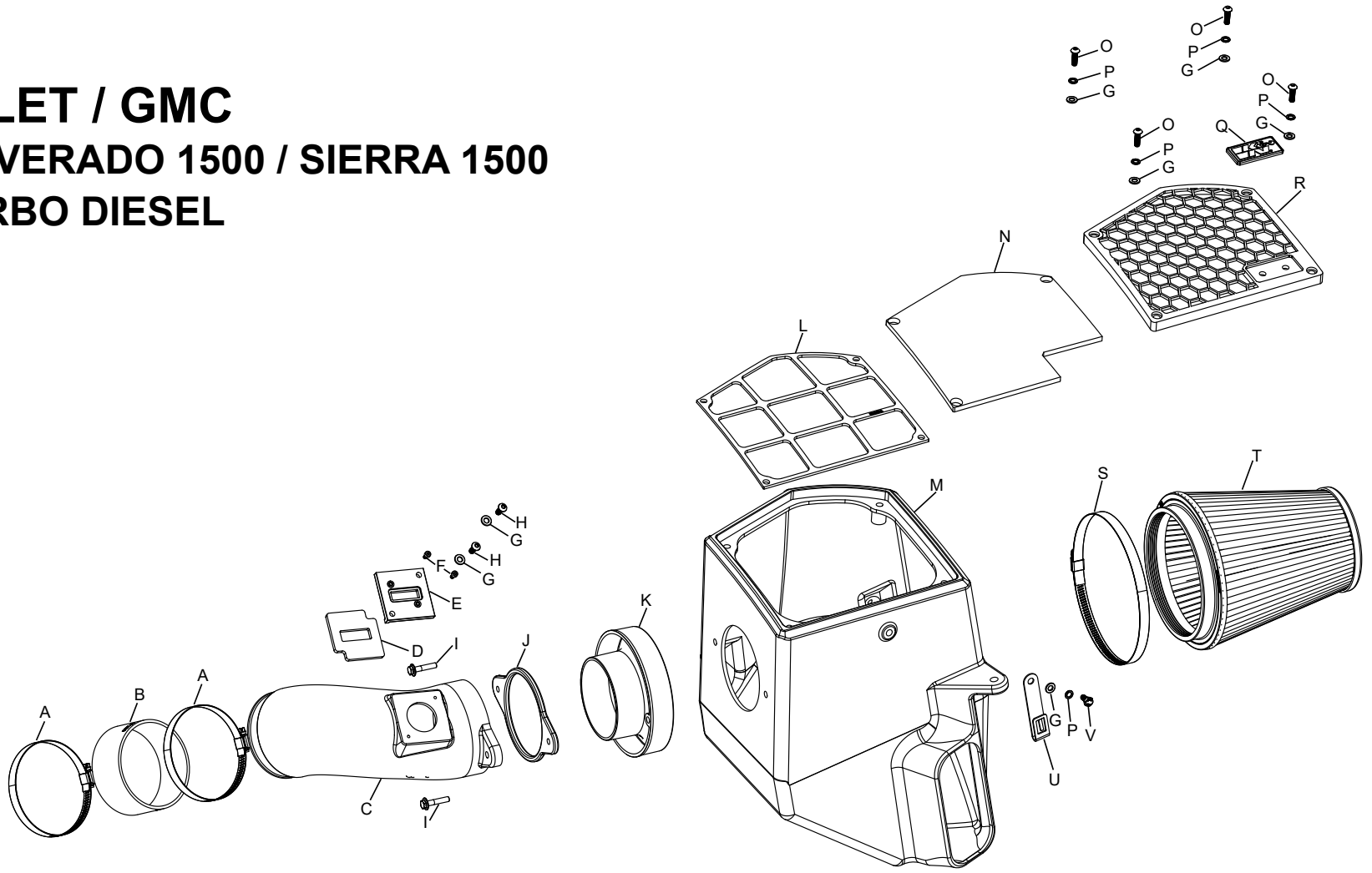
NOT LEGAL FOR SALE OR USE ON ANY POLLUTION CONTROLLED MOTOR VEHICLE IN CALIFORNIA OR STATES ADOPTING CALIFORNIA EMISSION PROCEDURES.
See knfilters.com for CARB status on each part for a specific vehicle

INSTALLATION INSTRUCTIONS

63-3118
CHEVROLET / GMC
2020-21 SILVERADO 1500 / SIERRA 1500
L6-3.0L TURBO DIESEL

TOOLS NEEDED:

- Ratchet
- Extension
- 10mm deep socket
- 3mm allen key
- 4mm allen key
- T10 Torx
- T20 Torx
- Phillips screw driver
- Flat blade screw driver
- 90* pick.



PARTS LIST:

Description	Qty.	Part #	Description	Qty.	Part #	Description	Qty.	Part #
A HOSE CLAMP #64	2	08645	I BOLT; M6-1 X 30	2	1-1016	Q BADGE; K&N LOGO	1	088076
B HOSE; 4"ID X 2"L	1	08761	J GASKET	1	09386	R FRAME; TOP	1	088075
C TUBE; (OK)	1	087478	K ADAPTOR #454	1	27300	S HOSE CLAMP #104	1	08697
D GASKET; 3/16"	1	09069	L FRAME; BOTTOM	1	088074	T AIR FILTER	1	RF-10440XD
E ADAPTOR; MAF SENSOR	1	21515-1	M AIR BOX; (OJ)	1	087477	U BRACKET	1	064358
F BOLT; M4-.7 X 8MM	2	07733	N FOAM INSERT	1	971971	V BOLT; M6 X 1 X 12MM	1	07727
G WASHER; 6MM FLAT	7	08269	O SCREW; M6 X 20MM	4	KIT-20BHC3060			
H BOLT; M6 X 1 X 16MM	2	07730	P WASHER; M6 SPLT LOCK ZINC	5	1-3025			

If you need any assistance please call 1-800-858-3333 to speak with a representative in our Customer Service Center before returning the product.

NOTE: FAILURE TO FOLLOW INSTALLATION INSTRUCTIONS AND NOT USING THE PROVIDED HARDWARE MAY DAMAGE THE INTAKE TUBE, THROTTLE BODY AND ENGINE.

TO START:

1. Turn off the ignition and disconnect the negative battery cable.
NOTE: Disconnecting the negative battery cable erases pre-programmed electronic memories. Write down all memory settings before disconnecting the negative battery cable. Some radios will require an anti-theft code to be entered after the battery is reconnected. The anti-theft code is typically supplied with your owner's manual. In the event your vehicles anti-theft code cannot be recovered, contact an authorized dealership to obtain your vehicles anti-theft code.



2. Remove the two screws that secure the hood release lever and then remove the lever from the vehicle.



3. Remove the ten retaining clips that secure the valence and then remove the valence from the vehicle.



4. Remove the retaining clip shown that secures the fresh air duct and then disconnect the duct from the air filter housing.



5. Loosen the hose clamp that secures the intake hose to the turbo inlet and disconnect the hose from the inlet.



6. Disconnect the mass air sensor electrical connection.



7. Loosen the three screws that secure the air filter lid onto the air filter base. Remove the lid and hose assemble and factory air filter from the vehicle.



8. Release the locking tab and then disconnect the bulk electrical connection from the air filter housing.



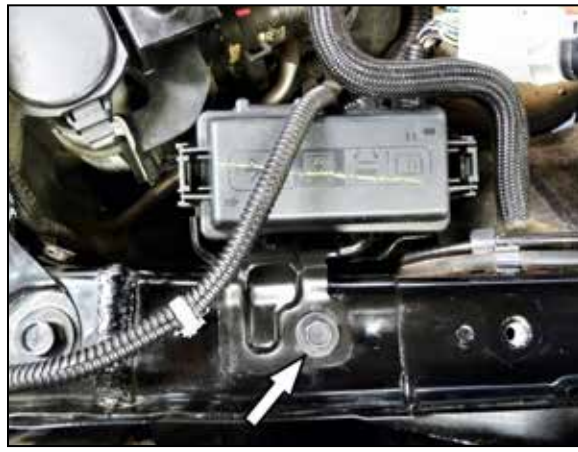
9. Unhook the wiring harness from the lower air filter housing.



10. Remove the two bolts that secure the strut brace and then remove the strut brace from the vehicle.



11. Remove the expansion tank mounting bolt shown.



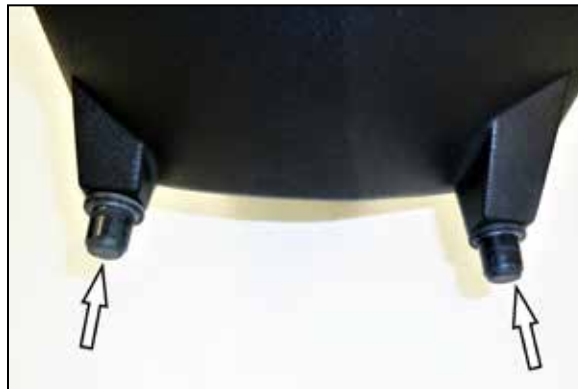
12. Remove the relay box mounting bolt shown.



13. Remove the nut that secures the lower air filter housing and then remove the lower air filter housing from the vehicle.



14. Install the wiring harness bracket onto the K&N air filter housing using the provided hardware.



15. Remove the two air box mounting grommets from the factory air filter housing and install them onto the K&N air filter housing as shown.



16. Install the K&N air filter housing into the vehicle so the mounting grommets insert into the factory mounting holes and then secure with the factory mounting nut.



17. Engage the fresh air duct into the K&N air filter housing and then secure it with the factory retaining clip.



18. Reinstall the strut brace using the factory hardware. Resecure the relay box and expansion tank with the factory hardware.



19. Reinstall the valence and secure with the factory retaining clips. Reinstall the hood release arm to the hood latch and secure with the factory bolts.



20. Install the provided coupler onto the turbo inlet and secure with the provided hose clamp.



21. Install the provided gasket onto the mass air adapter. Remove the mass air sensor from the factory air filter housing and install it into the adapter and secure with the provided hardware.



22. Install the mass air sensor into the K&N intake tube and secure with the provided hardware. Note the direction of the mass air sensor when installed should be as in the photo.



23. Install the intake tube into the coupler and align with the filter housing, then slide the gasket between the tube and housing, insert the filter adapter through the housing and gasket into the intake tube. Align the mounting holes and then secure with the provided hardware.



24. Secure the intake tube with the provided hose clamp.



25. Reconnect the mass air sensor electrical connection.



26. Install the K&N air filter into the air filter housing and onto the filter adapter, then secure with the provided hose clamp.



27. Install the prefilter and cage onto the air filter housing and secure with the provided hardware and then install the K&N badge into the cage as shown.



28. Reconnect the vehicle's negative battery cable. Double check to make sure everything is tight and properly positioned before starting the vehicle.

29. It will be necessary for all K&N® high flow intake systems to be checked periodically for realignment, clearance and tightening of all connections. Failure to follow the above instructions or proper maintenance may void warranty.

ROAD TESTING:

1. Start the engine with the transmission in neutral or park, and the parking brake engaged. Listen for air leaks or odd noises. For air leaks secure hoses and connections. For odd noises, find cause and repair before proceeding. This kit will function identically to the factory system except for being louder and much more responsive.
2. Test drive the vehicle. Listen for odd noises or rattles and fix as necessary.
3. If road test is fine, you can now enjoy the added power and performance from your kit.
4. K&N Engineering, Inc., requires cleaning the intake system's air filter element every 100,000 miles. When used in dusty or off-road environments, our filters will require cleaning more often. We recommend that you visually inspect your filter once every 25,000 miles to determine if the screen is still visible. When the screen is no longer visible some place on the filter element, it is time to clean it. To clean and re-oil, purchase our filter Recharger® service kit, part number 99-5050 or 99-5000 and follow the easy instructions.

NOT LEGAL FOR SALE OR USE ON ANY POLLUTION CONTROLLED MOTOR VEHICLE IN CALIFORNIA OR STATES ADOPTING CALIFORNIA EMISSION PROCEDURES.

See knfilters.com for CARB status on each part for a specific vehicle

* FREE K&N® decal To register your warranty, please see us online at knfilters.com/register. FREE K&N® decal *